

SUPPORT NETWORK

Experience Our Mobile Service Van For Fast And Reliable Solutions



ADDRESS:

North Zone
ESCORTS LTD. - CONSTRUCTION EQUIPMENT
4th Floor 409, Jasola Vihar,
Elegance Tower, Near Apollo Metro Station,
New Delhi – 110019

East Zone
ESCORTS LTD. - CONSTRUCTION EQUIPMENT
Eco Centre, Ambuja Neotia,
609, 6th Floor, EM Block,
Salt Lake Sector-V, Kolkata – 700091

West Zone
ESCORTS LTD. - CONSTRUCTION EQUIPMENT UNIT 1,
3rd Floor, A-Wing, Times Square,
Andheri - Kurla Road, Opp. Mittal Industrial Estate,
Andheri (East), Mumbai – 400059

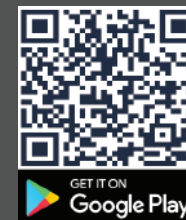
South Zone
ESCORTS LTD. - CONSTRUCTION EQUIPMENT
Subham Square, 1st Floor, S.No.41/9, 1st Main Road,
Karambakkam, Porur, Chennai – 600116.

MKT/21.1/5090

WHEN YOU NEED EXTRA 5090

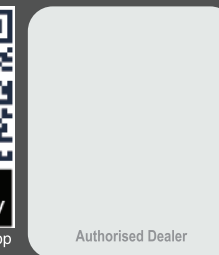


Escorts Engine: 75 HP | Static Linear Load 27.7 kg/cm | Total Applied Load 22.4 Ton



GET IT ON
Google Play

Download Customer App
for more details



Authorised Dealer

Customer Support No.:
1800 180 4488

(Timings: 9.30 am - 6.00 pm, Monday to Friday)

E-mail:
ece.marketing@escorts.co.in

Escorts Construction Equipment: Plot No. 219, Sector-58, Ballabhgarh- 121004, Faridabad, Haryana (INDIA)

Tel.: 0129-2306574/2306598/2306571 Fax: 0129-2306572 Website: www.escortsgroup.com

ESCORTS WHITE LINE

SPECIFICATIONS

ENGINE

	STD/DD
Model / Make	ESCORTS E4.346 CR
Specification	4 Cylinder, Water Cooled, CEV - IV Emission Norms
Rated Power	75HP @ 2000 RPM
Low Idle RPM	750 ± 5
Flyup RPM	2175 ± 5

STEERING

	STD/DD
Steering Angle (Degree)	± 30
Oscillation Angle (Degree)	± 10
Tilttable Steering (Degree)	± 10
Rotating Platform - Swivel (Degree)	± 10

BRAKES

	STD/DD
Service / Emergency Brake	Hydrostatic
Parking Brake	Spring Loaded Brake, hydraulically released on both drums

SPEED

Working (Kmph)	0 - 8.5
Travelling (Kmph)	0 - 13.8

VIBRATION SYSTEM

	STD/DD
Frequency (Hz)	33/50
High Amplitude (mm)	1.0
Low Amplitude (mm)	0.4

GRADEABILITY

Gradeability w/o Vibration (%)	36%
--------------------------------	-----

ELECTRICAL

	STD/DD
Battery	12V, 150AH
Alternator	12V, 90 A
Starter	12V

CAPACITIES

	STD/DD
Fuel Tank Capacity (Ltrs)	160
Hydraulic Tank (Ltrs)	80
Water Tank Capacity (Ltrs)	800

WEIGHTS

Operating Weight (kg)	9120
Weight on Front Drum (kg)	4470
Weight on Rear Drum (kg)	4650
Static Linear Load Front/ Rear (kg/cm)	26.6/27.7
Centrifugal Force per Drum, Low (kg)	6020
Centrifugal Force per Drum, High (kg)	6626
Total Applied Load Both Drums, Low (kg)	21161
Total Applied Load Both Drums, High (kg)	22372

DIMENSIONS

Length (mm)	4175
Width (mm)	1780
Height (With Canopy) (mm)	3110
Loading Height (mm)	2680
Drum Width (mm)	1680
Drum Diameter (mm)	1200
Shell Thickness (mm)	17
Turning Radius Outer/Inner (mm)	6475/4750
Wheel Base (mm)	2900
Ground Clearance (mm)	290
Kerb Clearance (mm)	730

SALIENT FEATURES

- Tilttable Steering
- Sliding Operator Seat
- Collapsible Roof
- Double Water Pump
- Fuel Level Gauge
- Water Level Gauge

SAFETY DEVICES

- Neutral Start Switch
- Air Filter Clog Indicator
- Hydraulic Filter Clog Indicator
- Visual Warning Against Parking Brakes
- Auto-Vibration & Sprinkler Cutoff
- Starter Safety Relay
- Audio Visual Warning For High Coolant Temperature & Low Lube Oil Pressure
- Over & Long Cranking Protection
- Vibration Delay Relay
- Battery Cut off Switch

KEY FEATURES

- Sprinkler Nozzles visible from operator seat
- Water Pump, 2 nos. for uninterrupted operation
- Foldable canopy frame to decrease height during transportation
- High kerb clearance of 730 mm for effective compaction along culverts
- Swivel Operator seat including steering wheel, FNR lever and instrument panel for drum edge visibility
- High Static Liner Load
- Low Turning Radius
- Compact Design

FEATURES

ENGINE

75 HP CEV - IV compliant 4 Cylinder water cooled turbo charged ESCORTS E4.346 CR engine with inline pump Best-in-class fuel economy, High on performance Lowest maintenance cost in its class



LED WORK LIGHTS

LED work lights for smooth night operations Head Lamp & 3 Chamber rear light with wiremesh for protection



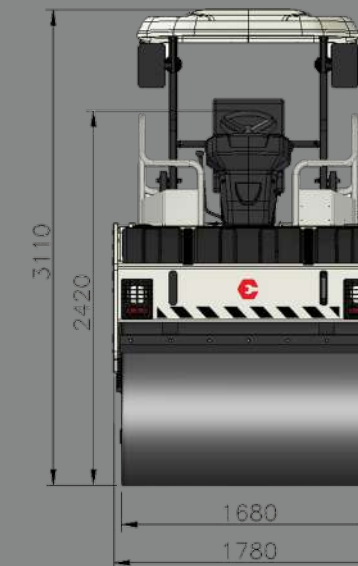
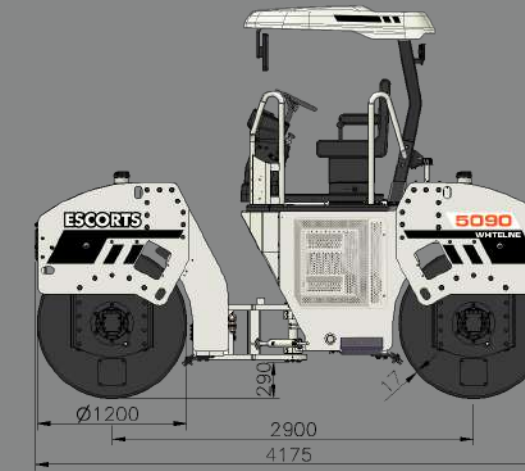
SPRINKLING SYSTEM

Sprinkling nozzles visible from operator seat Sprinkling nozzles with three stage filtration to avoid clogging Tongue-type nozzles to avoid rusting Wide flat fan with a sharply delimited spray pattern for long last uses



OPTIMUM VISIBILITY

360° visibility provides maximum safety Clear drum edge visibility from operator seat Compact Design for ease of operation in narrow space



INSTRUMENT PANEL

Dust and Weather proof, rocker for high reliability IP 67 Compliant Instrument cluster and Rocker switches



OPERATOR PLATFORM

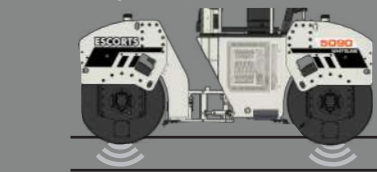
Ergonomically designed space for operator comfort Foldable 2 post Canopy legs for ease of transportation Rotating platform (Swivel) ± 38° with tilttable steering ± 10° Resilient rubber mounts, low vibration transfer to operator



Not Printable

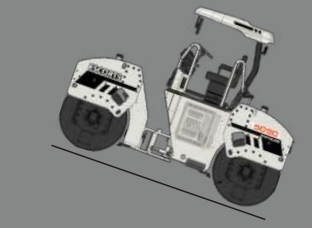
COMPACTION FORCE

Optimised setting Amplitude 1.0/0.4 mm with frequency 33/50 Hz Delay relay to avoid the sudden impact while switching from one frequency to another, High Kerb clearance for better road edge compaction



GRADEABILITY

High Gradeability making it versatile for all applications



NOTE Technical modification reserved. All dimensions & weights are variable within ± 5% over indicated values.