

**SUPPORT NETWORK**

**Experience Our Mobile Service Van  
For Fast And Reliable Solutions**



**ADDRESS:**

**North Zone**  
ESCORTS LTD. - CONSTRUCTION EQUIPMENT  
4<sup>th</sup> Floor 409, Jasola Vihar,  
Elegance Tower, Near Apollo Metro Station,  
New Delhi – 110019

**East Zone**  
ESCORTS LTD. - CONSTRUCTION EQUIPMENT  
Eco Centre, Ambuja Neotia,  
609, 6<sup>th</sup> Floor, EM Block,  
Salt Lake Sector-V, Kolkata – 700091

**West Zone**  
ESCORTS LTD. - CONSTRUCTION EQUIPMENT UNIT 1,  
3<sup>rd</sup> Floor, A-Wing, Times Sqaure,  
Andheri - Kurla Road, Opp. Mittal Industrial Estate,  
Andheri (East), Mumbai – 400059

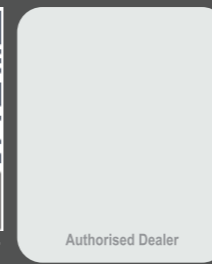
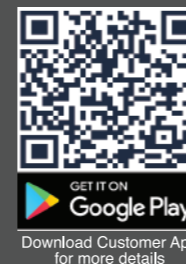
**South Zone**  
ESCORTS LTD. - CONSTRUCTION EQUIPMENT  
Subham Square, 1<sup>st</sup> Floor, S.No.41/9, 1<sup>st</sup> Main Road,  
Karambakkam, Porur, Chennai – 600116.

MKT/21.1/HYDRA1211

WHEN YOU NEED EXTRA  
**HYDRA1211**



Capacity: 12 T | Boom Height: 36 Feet | Service Interval Engine: 500 hrs. | Straight Axle: Heavy Duty | Transmission: Robust (8+2)



Customer Support No.:  
**1800 180 4488**  
(Timings: 9.30 am - 6.00 pm, Monday to Friday)

E-mail:  
[ece.marketing@escorts.co.in](mailto:ece.marketing@escorts.co.in)

**Escorts Construction Equipment:** Plot No. 219, Sector-58, Ballabhgarh- 121004, Faridabad, Haryana (INDIA)  
Tel.: 0129-2306574/2306598/2306571 Fax: 0129-2306572 **Website:** [www.escortsgroup.com](http://www.escortsgroup.com)

**ESCORTS**  **WHITE LINE**

# SPECIFICATIONS

## RATED CAPACITY

12 Tonne at	1.7 m radius
2.2 Tonne at	8.2 m radius

## ENGINE

Make & Model	Escorts AE 4.312C-3A four cylinder, water cooled diesel engine, developing 49.5 HP @ 2200 RPM or equivalent.
--------------	--

## TRANSMISSION

Drive	2 Wheel drive
Type	Heavy duty transmission developed especially for crane application. Constant mesh gearbox coupled with straight drive axle. Eight forward and two reverse speeds with high/low selector lever.
Max. Speed	29 km/hr. (unladen)
Clutch	Heavy duty clutch, wire woven, asbestos free.

## STEERING

Type	Articulated power steering, hydraulically controlled through 2 double acting jacks.
Articulation	Up to 53°
Turning Radius	6.75 m

## HOIST MECHANISM

Hoist	Hydraulic winch. Four falls. Rope dia 13 mm
-------	---

## BRAKES

Front Wheel	Pneumatic assisted hydraulic brakes
Rear Wheel	Disc brakes actuated through a slave cylinder
Parking	Hand control valve operated, Air assisted Hydraulic parking brakes at rear wheels (Standard models) Hand control valve operated, Air assisted Parking brakes at Front wheels (with Air brake models)

## HYDRAULIC SYSTEM

Pump Control Valve	Vane type hydraulic pump
Control Valve	4 spool control valve with built in pressure relief valve and precision control

## ELECTRICAL SYSTEM

Type	12V Single battery, Negative earth
------	------------------------------------

## CAPACITIES

Fuel Tank	45 ltrs.
Hydraulic Tank	65 ltrs.

## OVERALL DIMENSIONS

Width	2550 mm
Height	3100 mm
Length	10920 mm

## OPERATING WEIGHT (KG)

10200 kg
----------

## BOOM

Telescoping	3 parts hydraulically powered & fully synchronized
Derricking	Through double acting jacks

## TYRES

Front	10.00 X 20 -16 PR (4 nos.), inflation pressure 110-115 PSI
Rear	13.00 X 24 -12 PR (2 nos.), inflation pressure 35 PSI. Water ballasted

## SAFETY DEVICES

- Overload audio warning system
- Safety brakes on hoist
- Cylinder guard for protection
- Rope compensation for auto leveling
- Counter balance protection valve in the lift line against hose burst
- Visual warning against parking brakes ON
- System Low air pressure warning buzzer

## STANDARD ACCESSORIES

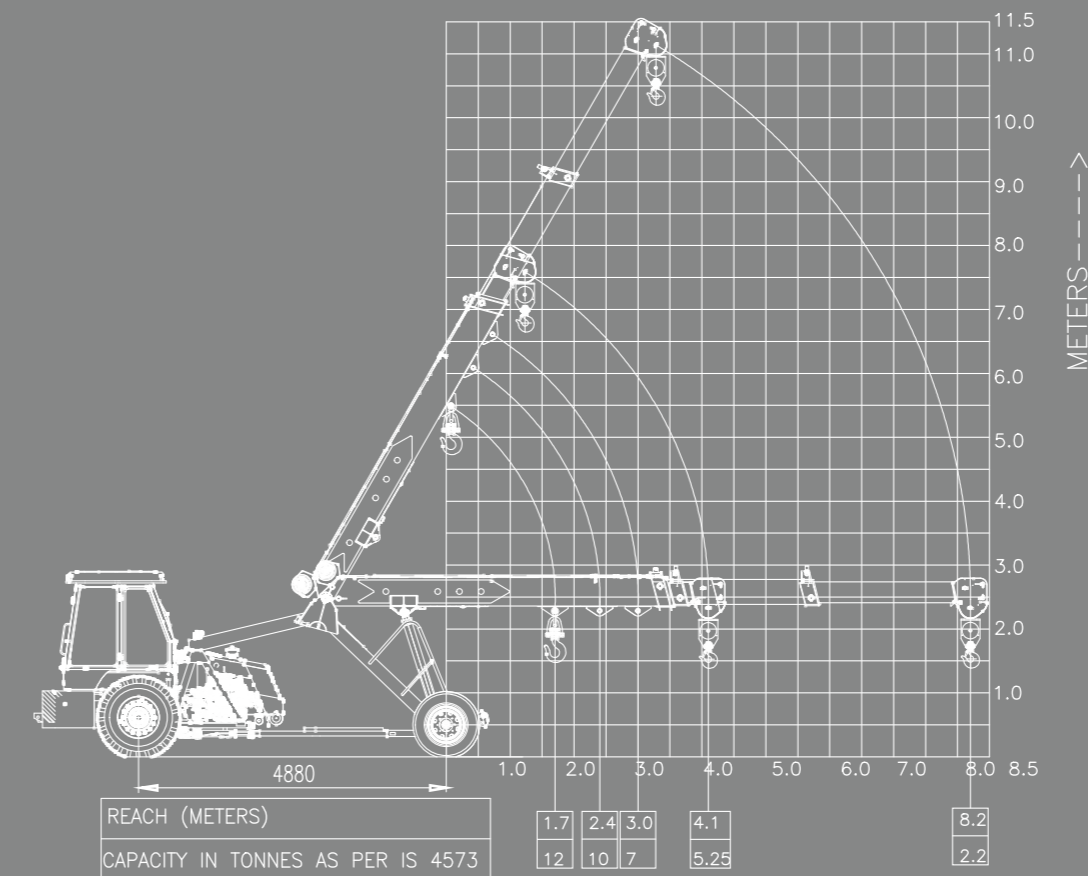
- All Weather Cabin
- Lift Cylinder Guard
- Turn & Reverse Lamp
- Front Bumper
- Rear View Mirror
- Reflectors

## OPTIONAL ACCESSORIES

- Air Brake
- Tool Box
- Spark Arrestor
- Fire Extinguisher
- Safe Load Indicator
- Heavy Duty Bumper
- 14 x 24 Heavy Duty Tyres
- Over Hoist & Hydraulic Cut-off Kit

# PERFORMANCE, DIMENSIONS & FEATURES

## Chart



## Features

### STRUCTURE

Robust structure for strength and durability

### ENGINE

Escorts engine BS-III (CEV compliant) high on power/torque & low on fuel consumption & maintenance.

### TRANSMISSION

Heavy duty straight axle with constantmesh 8+2 transmission.

### INCREASED STABILITY

At fully articulated condition, Wider lift cylinders' span (400 mm).

### CABIN

Ergonomically designed spacious cabin with modern dashboard for utmost operator comfort and operation.